



SINGLE PHASE DUAL VOLTAGE

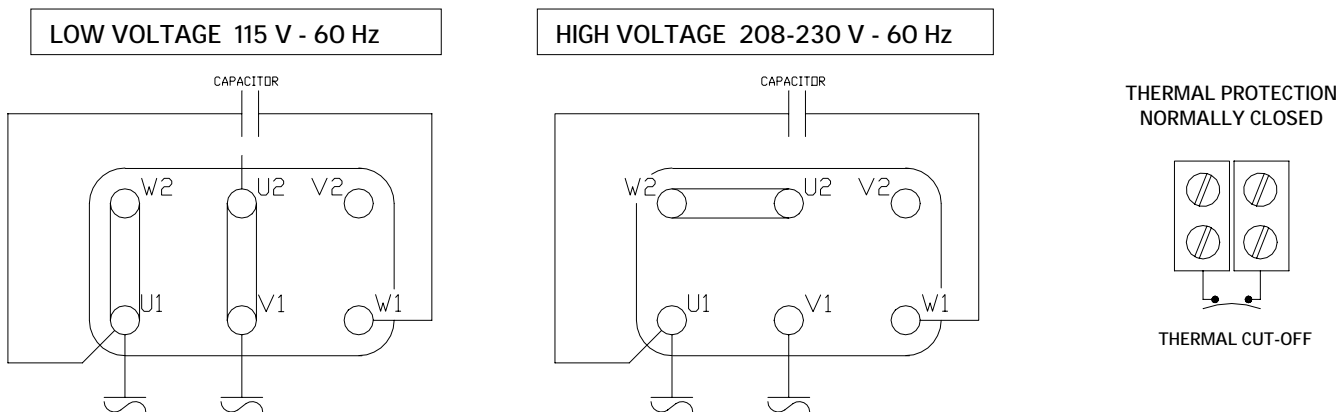
GENERAL SPECIFICATIONS:

- 1. Type: AC Motor IEC 60034
- 2. Marks: cURus, CE
- 3. Poles: 2
- 4. Insulation class: F
- 5. Frequency: 60 hz
- 6. Enclosure: TEFC
- 7. Protection IP55, Tropicalized
- 8. Thermal protector: Klixon 140^o C or 150^o C (R series)
- 9. Max. Ambient 40^o C
- 10. Duty: Continuous
- 11. Construction: aluminum frame

POWER		SIZE	VOLTAGE (60 hz)	Full Load Amperage	Starting Current A	Power Factor	SF	Capacitor μ F	Cable Entry
HP	KW								
0.33	0.25	63	115 / 208-230	3.5 / 1.7	12.3 / 6.0	0.97	1.0	16 - 400 V	M16
0.5	0.37	63	115 / 208-230	4.8 / 2.6	16.8 / 9.1	0.96	1.0	16 - 400 V	M16
0.75	0.55	71	115 / 208-230	9.8 / 4.9	46.1 / 23.0	0.95	1.0	20 - 400 V	M16
0.75	0.55	71	115 / 208-230	8.3 / 4.1-4.2	34.9 / 17.2	0.83	1.15	30 - 450 V	M20
1	0.75	80	115 / 208-230	13.0 / 7.2	49.4 / 24.7	0.77	1.0	31.5 - 400 V	M20
1	0.75	80	115 / 208-230	9.4 / 5.5-5.0	35.8 / 17.3	0.99	1.15	40 - 450 V	M20
1.5	1.1	80	115 / 208-230	13.6 / 7.3	54.4 / 29.2	0.97	1.0	50 - 400 V	M20
1.5	1.1	80	115 / 208-230	14.6 / 7.6-7.3	49.3 / 23.2	0.97	1.15	45 - 450 V	M20
1.5*	1.1	80	115 / 208-230	14.3 / 7.18	71.1 / 35	0.96	1.0	55 - 450 V	M20
2	1.5	90	115 / 208-230	24.0 / 12.0	79.2 / 39.6	0.90	1.0	70 - 400 V	M20
2	1.5	90	115 / 208-230	19.7 / 10.6-9.9	103 / 52.4	0.95	1.15	50 - 450 V	M20
2*	1.5	80	115 / 208-230	19.4 / 9.8	96 / 48.2	0.89	1.0	55 - 450 V	M20
3	2.2	90	115 / 208-230	31.5 / 16.0	154.4 / 78.4	0.85	1.0	60 - 400 V	M20
3	2.2	90	115 / 208-230	29.4 / 16.6-14.8	119.8 / 61.8	0.91	1.15	45 - 450 V	M20
3*	2.2	90	115 / 208-230	26.2 / 13.1	152 / 76	0.95	1.0	70 - 450 V	M20

* Applicable to R series ONLY.

Shaded models to be discontinued.



Specifications subject to change without notice. Alternate motor suppliers may be used.