



SIMPLIFIED FLUID HANDLING

# IH SOUND ENCLOSURES

## Characteristics

- Noise reduction 10 dB(A) max
- Integral exhaust fan for blower / motor heat dispersion

## Std operating condition

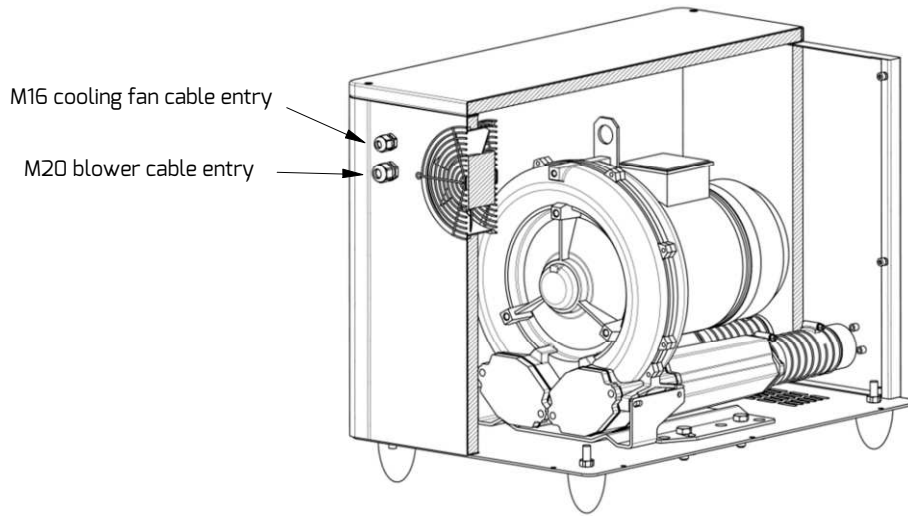
- Altitude less than 3280 ft a.s.l.
- Atmospheric pressure: 29.92 in Hg
- Ambient temperature from +5 °F to +104°F



Technical data

ACCESSORIES FOR REGENERATIVE BLOWERS

COMPANY WITH QUALITY MANAGEMENT  
SYSTEM CERTIFIED BY DNV  
= ISO 9001:2008 =



## Scl performances inside the sound hood IH1-IH5

SCL	Sound hood	Installed motor power	Differential pressure
K03-MS	IH1	0.5 hp	See data sheet
		0.75 hp	See data sheet
K04-MS	IH3	1 hp	See data sheet
		1.5 hp	See data sheet
		2 hp	See data sheet
R20-MD	IH4	1.5 hp	See data sheet
R30-MD	IH4	2 hp	See data sheet
		3 hp	See data sheet
R40-MD	IH4	3 hp	See data sheet
		4 hp	See data sheet
K05-MS	IH5	1.5 hp	See data sheet
		2.0 hp	See data sheet
		3.0 hp	See data sheet
		4.0 hp	See data sheet
K06-MS	IH5	3.0 hp	See data sheet
		4.0 hp	See data sheet
		5.5 hp	100 in WG/7.4 in Hg max

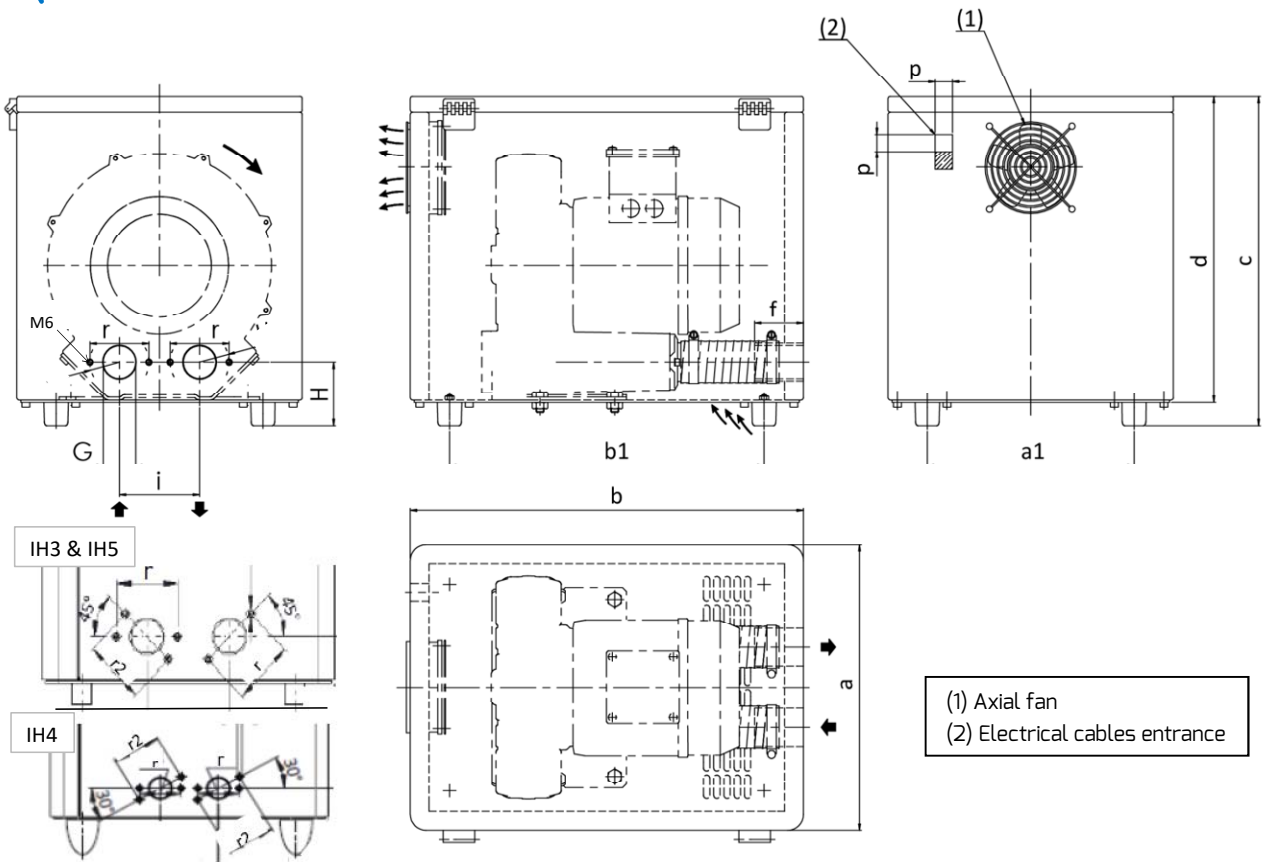
If using a CA 90 degree manifold for filter installation, a spacer is required when using 2" npt filters. Applicable with IH5 sound enclosures.

## Sound hood characteristics IH1-IH5

- Noise reduction 10 dB(A) max
- Sheet metal, painted (RAL 9001), internally-lined with sound-absorbing foam panels
- Integral exhaust fan for blower / motor heat dispersion
- Bottom plate slotted for ventilation
- Hood raised and supported using 4 external anti-vibration mounts
- Blower internal mounting kit supplied
- Ability to mount blower accessories directly on the hood
- Models IH1-IH5 are supplied with flanges, bolts and flexible connections for easy blower installation.



IH1-5  
DIMENSIONS



Dimensions in inches - FOR REFERENCE ONLY

Model	Blower(s)	a	a1	b	b1	c	d	f	G	H	i	q	r	r2	lbs
IH1	K03-M5	13.38	9.45	18.19	14.25	15.8	14.68	2.2	1.4	2.97	3.38	-	2.52	-	37.5
IH3	K04-M5	14.3	10.4	19.7	15.8	16.5	15.4	2.4	1.6	2.1	4.0	0.9	2.95	2.95	37.9
IH4	R20-MD, R30-MD, R40-MD	16.9	12.6	26.8	22.4	21.6	18.9	2.2	1.4	4.7	3.5	1.5	2.52	2.95	61.1
IH5	K05-M5, K06-M5	16.9	12.6	26.8	22.4	21.6	18.9	3.0	2.1	4.7	4.4	2.4	3.35	3.35	61.7

FAN CHARACTERISTICS (SINGLE PHASE)

	IH1 - IH3	IH4 - IH5
Frequency [Hz]	50	60
Power [W ±10%]	18	46
Power supply [V]	220-240	230±10%
Nom. absorption [A ±10%]	0.13	0.09
Protection	IP 44	IP 54
Phases	1	
Poles	2	
Operating temperature	-20°C to +70°C	

115 VAC - 60 hz - single phase fan options are available upon request



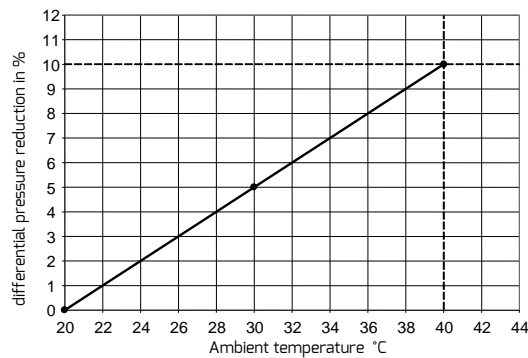
## SOUND ENCLOSURE MODELS – IH7R - IH7 - IH8 - IH9 - IH10 - IH11 - IH12 - IH13

### CHARACTERISTICS:

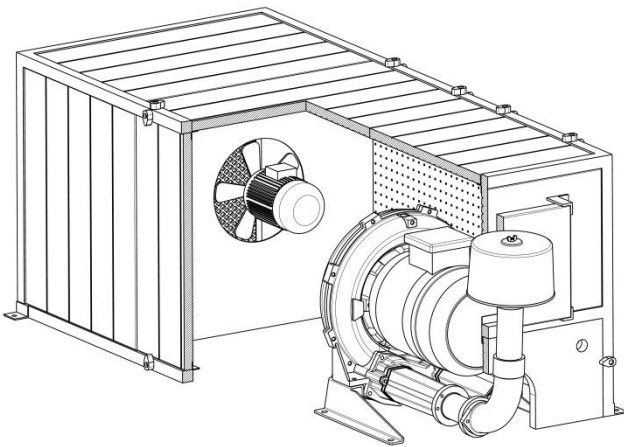
- Noise reduction 10 dB(A) max.
- Structure in aluminium blocks.
- Removable panels with block-panel system.
- Arranged with electric axial fan for removal of heat generated by the motor and blower.

### Blower performance corrections when installed in IH enclosure:

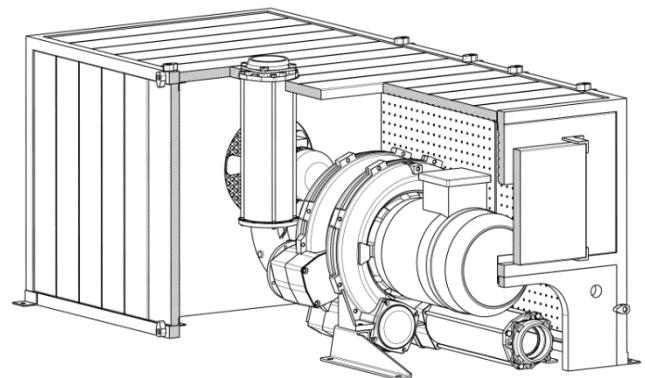
- Reduce the max. pressure differential specified on the blower data sheet by 10% for ambient temperature values  $\leq 20^\circ\text{C}$
- For ambient temperature values  $> 20^\circ\text{C}$ , further reduce the blower performance as indicated in the following graph:



IH7R-IH7-IH9-IH10-IH13



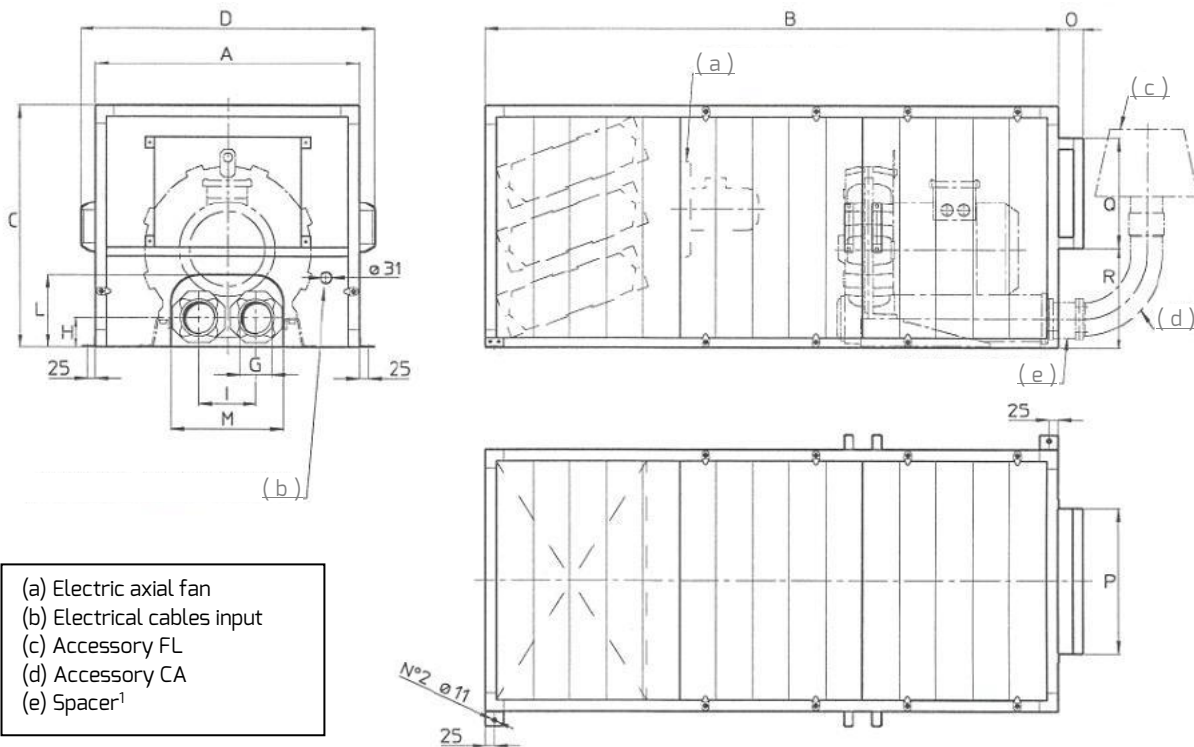
IH8-IH11-IH12



### ELECTRIC FAN CHARACTERISTICS

	IH7R-IH7-IH8-IH9-IH10-IH11-IH12-IH13	
Frequency [Hz]	50	60
Power [kW]	0.12	0.14
Power supply [V $\pm 10\%$ ]	230/400	275/480
Cos $\varphi$	0.69	0.69
Nom. absorption [A]	0.70 / 0.44	
Protection	IP 55	
Insulation	Class F	
Poles	2	
Phases	3	

115 VAC - 60 hz - single phase fan options are available upon request



Dimensions in inches - FOR REFERENCE ONLY

**DIMENSIONS (IH7R-IH7-IH9-IH10-IH13)**

Model	Blower type	Spacer <sup>1</sup>	A	B	C	D	G	H	I	L	M	O	P	Q	R	(lbs)
IH7R	K07R-MD	1035K0710840 <sup>1</sup>	28.4	61.6	26	31.7	2"	3.2	6.1	6.3	10.6	2.8	15.8	11.8	11	141
	K08R-MD	1035K0710840 <sup>1</sup>														
IH7	K07/e07-MS	-	28.4	61.6	26	31.7	3"	3.2	6.1	7.8	12	2.8	15.8	11.8	11	141
	K08/e08-MS	103520100001 <sup>1</sup>														
IH9	K07/e07-TS	-	28.4	61.6	26	31.7	4"	3.9	7.2	8.9	14.8	2.8	15.8	11.8	11	141
	K08/e08-TS	-														
IH10	K09-MS/MD	1035K0970001 <sup>3</sup>	28.4	63.6	29.9	31.7	4"	3.8	7.2	8.9	14.8	3.5	17.7	15.4	11	203
	K10-MS/MD	1035K0970001 <sup>3</sup>														
	K11-MS/MD	1035K0970001 <sup>3</sup>														
IH13	K11-MD	1035K0970001	28.4	63.6	31.5	31.7	5"	4.2	8.3	10	17.3	3.5	17.7	15.4	12.2	207
	K12-MS/MD	1035K0970001 <sup>3</sup>														
	K09-TS	-														
	K10-TS	-														
IH13	K11 <sup>4</sup> /e11-TS	-	28.4	63.6	31.5	31.7	5"	4.2	9	10	17.3	3.5	17.7	15.4	12.2	207
	K12-TS <sup>4</sup>	-														

<sup>1</sup> Spacer is required ONLY if installing the applicable filter with a CA manifold.

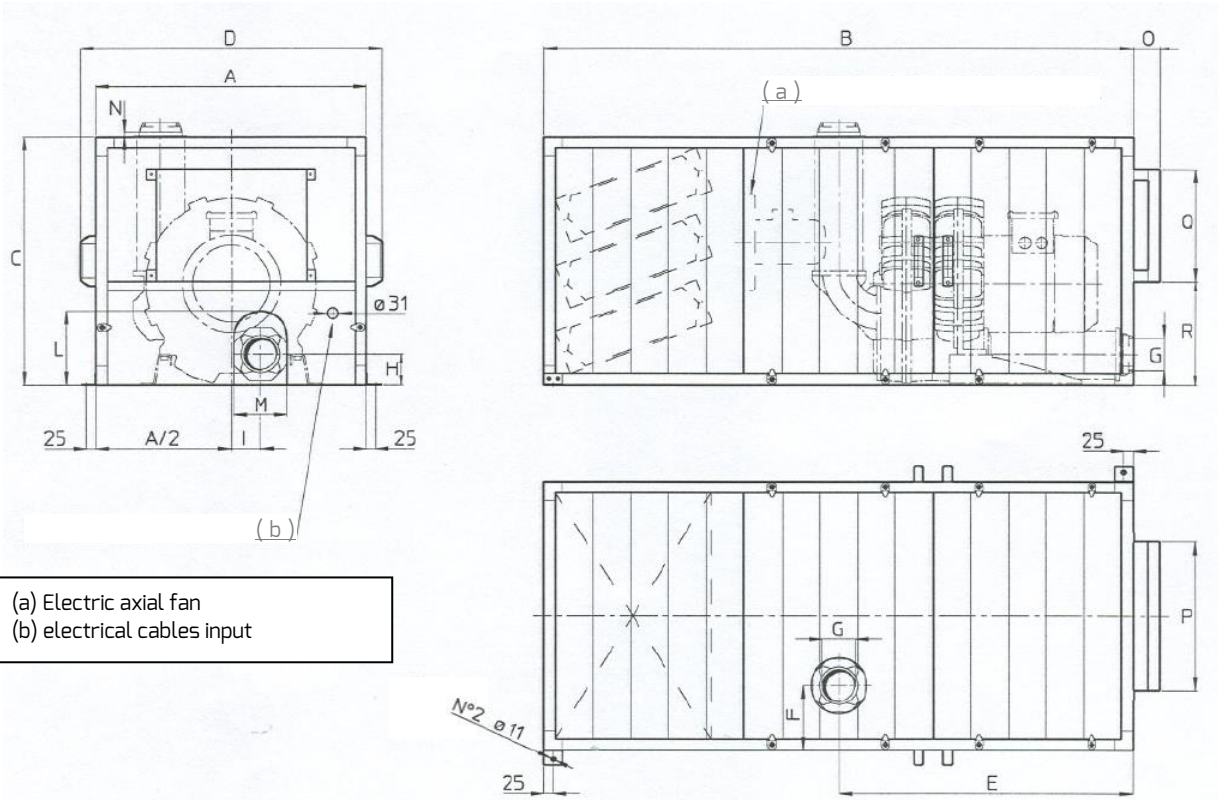
<sup>3</sup> Required only for blower K09/K10-MS with 15 -20 hp motors, K11/e11/K12-MS with 20 hp-25 hp motors, K12-MD with 20 hp motor

<sup>4</sup> Not applicable with 30 hp motor





# SOUND ENCLOSURE IH 8,11,13



Dimensions in inches - FOR REFERENCE ONLY

**DIMENSIONS (IH8-IH11-IH12)**

Model	Blower type	A	B	C	D	E	F	G	H	I	L	M	N	O	P	Q	R	[Kg]
IH8	K07/e07-TD	28.3	61.6	26	31.7	32.8	6.8	3"	3.2	3	7.6	5.9	.5	2.8	15.7	11.8	11	141
	K08/e08-TD																	
IH11	K09-TD	28.3	63.6	29.9	31.7	37.9	5.7	4"	3.8	3.9	8.9	6.9	.8	3.5	17.7	15.4	11	203
	K10-TD																	
IH12	K11/e11-TD	28.3	63.6	29.9	31.7	37.9	5.7	4"	3.6	5	8.6	6.9	1.1	3.5	17.7	15.4	11	203
	K12-TD																	



**FPZ, Inc**

Saukville, Wisconsin  
USA  
usa@fpz.com

**FPZ México/LA**

Zapopan, Jalisco  
México  
mexico@fpz.com

**FPZ Espana & Portugal**

Barcelona  
Espana  
mila.lozano@fpz.com

**FPZ France S.a.r.l.**

St. Priest  
France  
france@fpz.com

**HEADQUARTERS**

**FPZ S.p.A.**

Concorezzo (MB)  
Italy  
info@fpz.com

**FPZ UK**

Andover, Hampshire  
United Kingdom  
uk@fpz.com

**FPZ Austria & Germany**

Krems  
Austria  
vertrieb@fpz.com